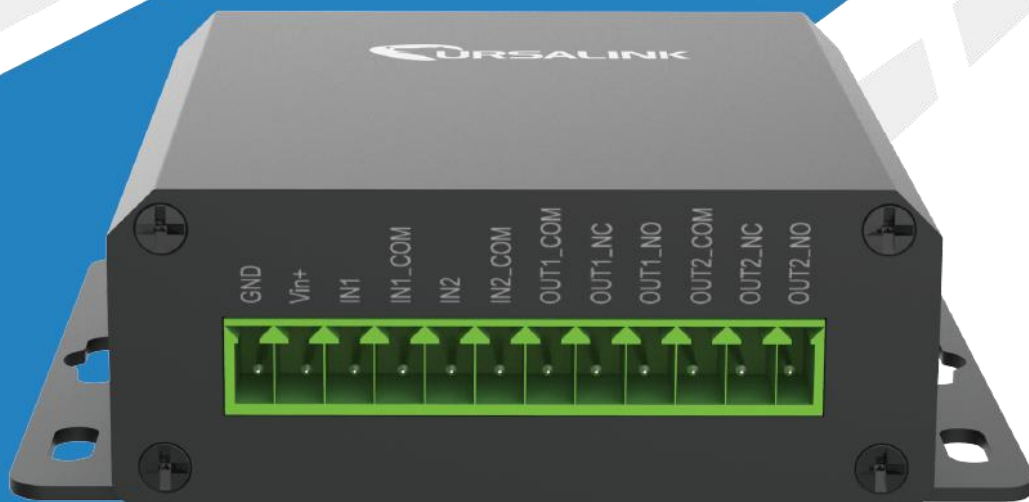




LoRa Remote I/O

UC1114 User Guide



Contents

1. Preface.....	3
2. Introduction.....	3
2.1 Features.....	3
2.2 Parameters.....	4
2.3 LED Indicator Description.....	4
3. Installation.....	5
3.1 Environment.....	5
3.2 Power Supply.....	5
3.3 Micro USB Port.....	6
3.4 Terminal Description.....	6
3.5 Digital Input.....	6
3.6 Relay Output.....	7
4. Configuration.....	9
4.1 Configuration via PC.....	9
4.1.1 Serial Port Settings.....	10
4.2 Status.....	11
4.3 LoRaWAN.....	12
4.3.1 Basic.....	12
4.3.2 Channel.....	15
4.3.3 Advanced.....	16
4.4 Command.....	18
4.4.1 Read Command from Device.....	18
4.4.2 Open a Command File.....	18
4.4.3 Save the Command to Device.....	18
4.4.4 Save the Command as File.....	19
4.5 IF-THEN Behaviour Command.....	19
4.5.1 Supported IF Condition.....	19
4.5.2 Supported THEN Actions.....	21
4.6 Upgrade.....	23
5. Application Examples.....	24
5.1 Periodic Status Report.....	24
5.2 Monitoring Alarm.....	24
5.3 Control an Appliance.....	25
5.3.1 Control a Bulb by Sending a Message.....	25
5.3.2 Send an Alert When Over-temperature Occurs.....	26
5.3.3 Turn on the Heater Regularly.....	26

1. Preface

Thank you for choosing Ursalink UC1114 LoRa Remote I/O. This user guide will present in detail all the functions and features of the product. The UC1114 is designed for both industrial and commercial applications and helps devices stay connected. The product should be used under the guidance of this user guide, referring to parameters and technical specifications. The UC1114 is a compact, high-performance device that offers LoRaWAN connectivity for data transmission. We bear no liability for property loss or physically injury arising from abnormal or incorrect usage of this product.

2. Introduction

Ursalink UC1114 is designed as a cost-effective industrial machine monitoring device that monitors and controls up to 2 dry contacts and 2 drivable relay outputs.

With the aid of Ursalink UC1114, the alarm condition brings attention to engineering personnel immediately. The output can be connected with an alarm indication device, such as a light or horn.

The device can give immediate response to the status of both the input and output conditions. A LoRa module is embedded in the Ursalink UC1114.

This user guide is intended to provide detailed technical specifications and explanations to basic users as well as the technically-minded groups. It is a live document, and will be updated from time to time. Please ensure that you have the latest version, by checking our website at: <https://www.ursalink.com/en/documents-download/>

2.1 Features

- 2 digital inputs, connected with up to 2 dry contact devices
- 2 relay drivable outputs
- Reliable performance with built-in watchdog
- Customizable conditions, programmable actions
- Send uplink alert messages according to user-defined conditions
- Automatic switching of field devices at set times
- Send and receive messages via LoRaWAN technology
- Comply with the LoRaWAN Class C protocol
- Support star network and mesh network
- High Rx sensitivity and adjustable Tx power

2.2 Parameters

Parameter Item	Reference Scope
Antenna	50 Ω SMA Antenna Interface
Frequency Band	EU 433, CN 470-510, IN865, EU 863-870, US 902-928, AU 915-928, KR 920-923
Sensitivity	-147 dBm @300bps
Output Power	20dBm
Protocol	LoRaWAN Class C
Digital Input	Opto-isolated depending on voltage Can accept any DC signals of any type, including: ➤ DC Voltage (3-24 V)
Digital Output	2 x SPDT Relay Contact Rating: 3Amp DC (Max: 30 V) or 3Amp AC (Max: 250 V)
IO Connector type	Screw Terminals
DC Power Supply	5-24 VDC
Operating Temperature	-40° C to +70° C (-40° F to +158° F)
Relative Humidity	0% to 95% (non- condensing)
Dimensions	79 x 60 x 24 mm

2.3 LED Indicator Description

System:

- Solid On: System booting
- On for 500ms, off for 500ms: Working properly
- On for 100ms, off for 100ms: Failed to send data

ACT:

- Off: Failed to join network
- On for 75ms, off for 3000ms: Joined the network successfully
- On for 500ms, off for 500ms: Sending/Receiving data

3. Installation

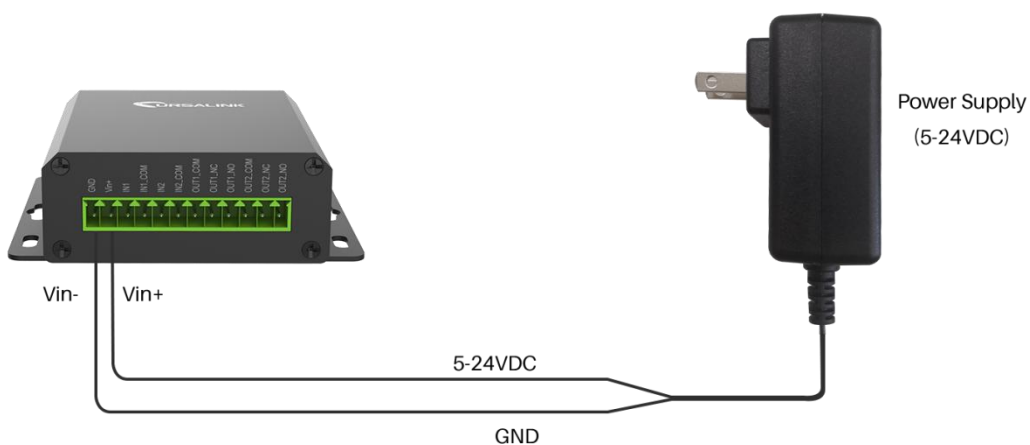
3.1 Environment

Due to the product properties of the Ursalink UC1114, we **STRONGLY** advise that it should not be installed in proximity to a variable speed drive or with any other electrically noisy equipment. **DO NOT** install the Ursalink UC1114 into a metal enclosure unless an antenna is mounted on the outside of the enclosure.

3.2 Power Supply

The Ursalink UC1114 has a terminal block interface where a power supply can be connected. The power supply should have the following specifications:

- Output Voltage: 12V nominal
- Output Current: 0.5A
- Installation:



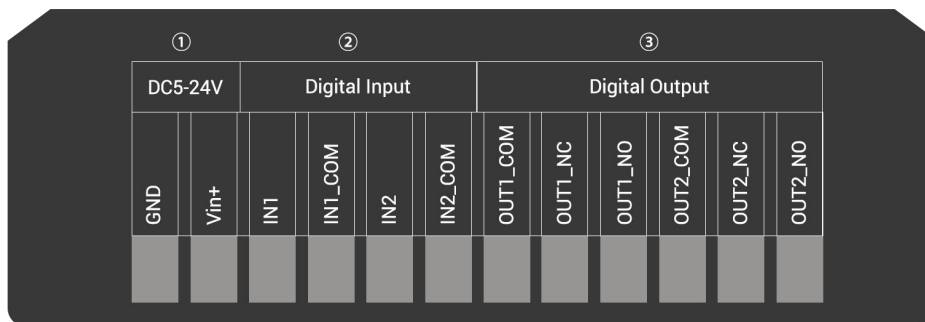
For industrial applications, it is advised that the Ursalink UC1114 should be installed into its own metal housing and be powered from a separate power supply (as opposed to sharing one with other equipment).

Please Note: While the Ursalink UC1114 has fairly rugged internal power supply circuitry, no special provision for lightning protection is well in place. If the Ursalink UC1114 is used in an area where thunderstorm is about to occur, it is advisable to use a commercially available lightning suppressor (the same applies to inputs or outputs connected to wires longer than 2 or 3 meters). The guarantee does not cover damage resulting from lightning strikes! The Ursalink UC1114 can operate reliably from voltages in the range of 5 to 24 VDC.

3.3 Micro USB Port

UC1114 provides a micro USB port to connect to a PC via USB cable, which allows the PC to configure the unit.

3.4 Terminal Description



① [DC 5-24V]

Terminal	Description
Vin+	Positive terminal of the DC power supply (+)
GND	Negative terminal of the DC power supply (-)

② [Digital Input]

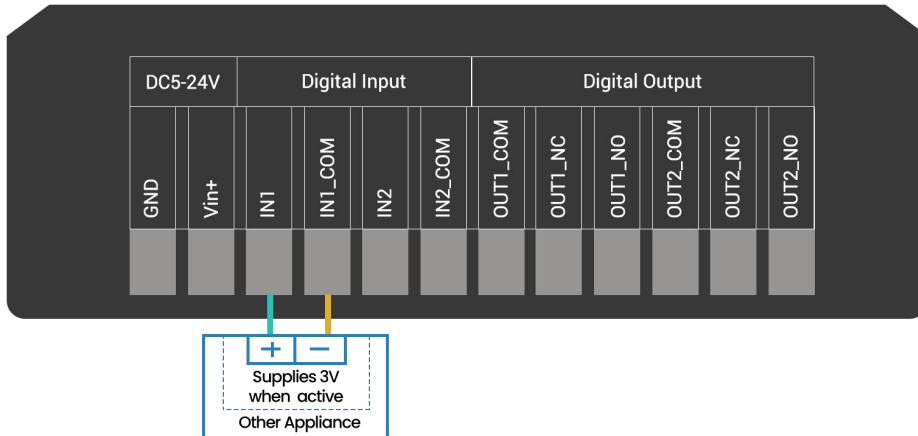
Opto-isolated depending on voltage DC Voltage (3-24V)

③ [Digital Output]

Driving relay to connect NC or NO

3.5 Digital Input

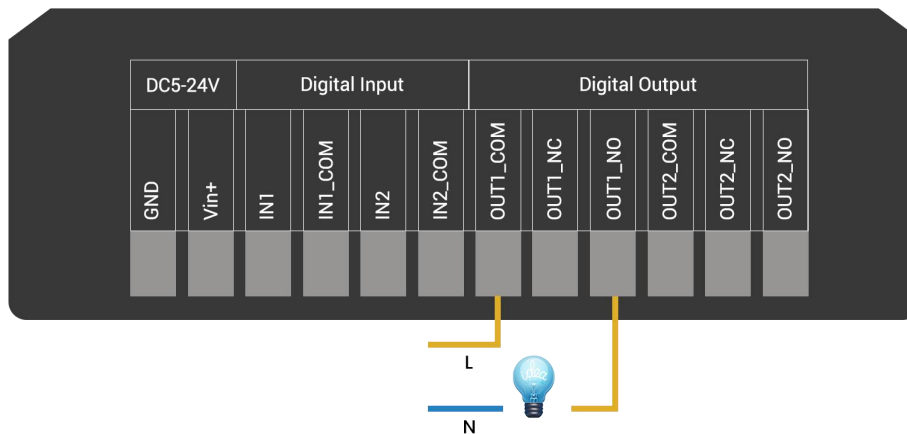
- When the input is triggered either as high or low, the Ursalink UC1114 will take action if you have pre-configured related command.
- Terminal "IN1" or "IN2" is internally pulled high. Leaving the connection open or connecting it to "0 - 1 V", which will indicate an "Input-De-activate" state.
- When terminal "IN1" or "IN2" is connected to "3-24V", it will indicate an "Input-Activate" state.
- Trigger voltage: Minimum = 3 VDC, Maximum = 24 VDC.



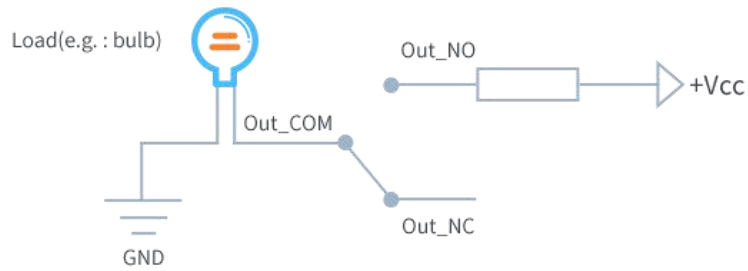
3.6 Relay Output

- The output is used for switch circuits ON & OFF and can be controlled by command message
- The output terminals are internally connected to a 3 Amp SPDT relay
- OUT_NC = Normally Closed
- OUT_COM = Common
- OUT_NO = Normally Open

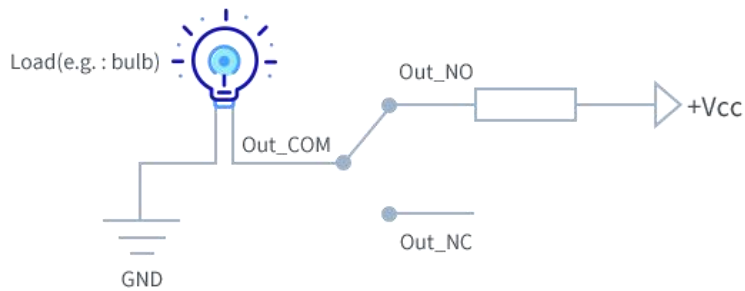
Maximum Current	3 Amp
Maximum Voltage	250VAC, 30 VDC



- When the output is off, the COM and N/C terminals will be internally connected to each other. Here is a schematic of the output circuit:



- When the output is on, the COM and N/O terminals will be internally connected to each other. Here is a schematic of the output circuit:



4. Configuration

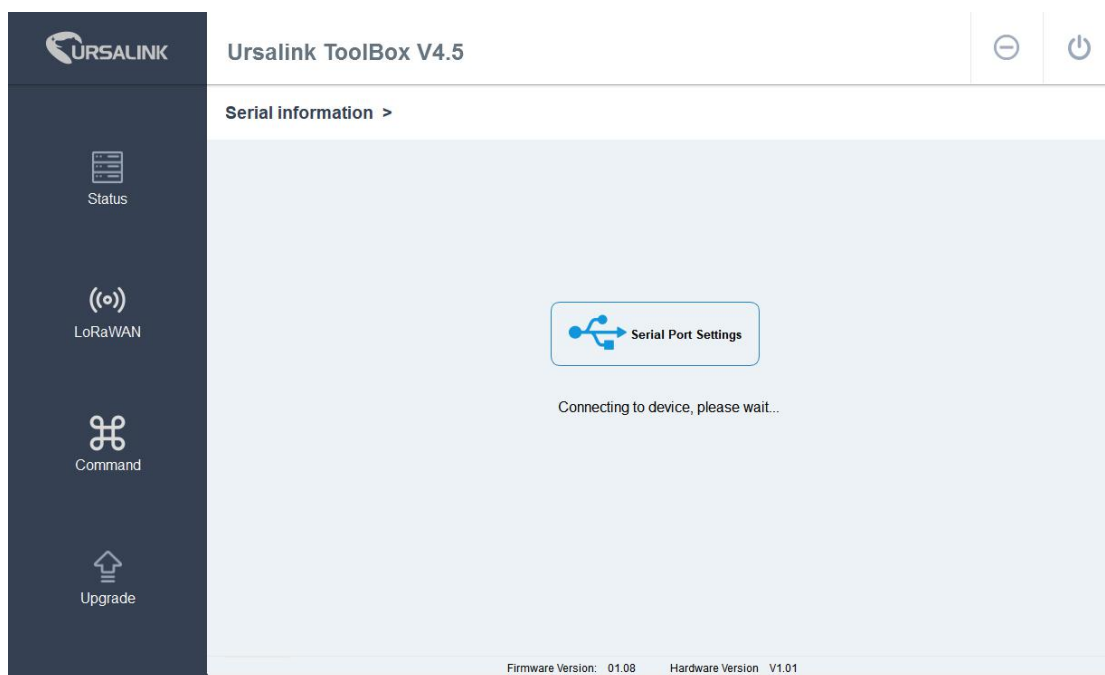
4.1 Configuration via PC

Follow these steps:

Step 1: Connect UC1114 to PC via the micro USB port.

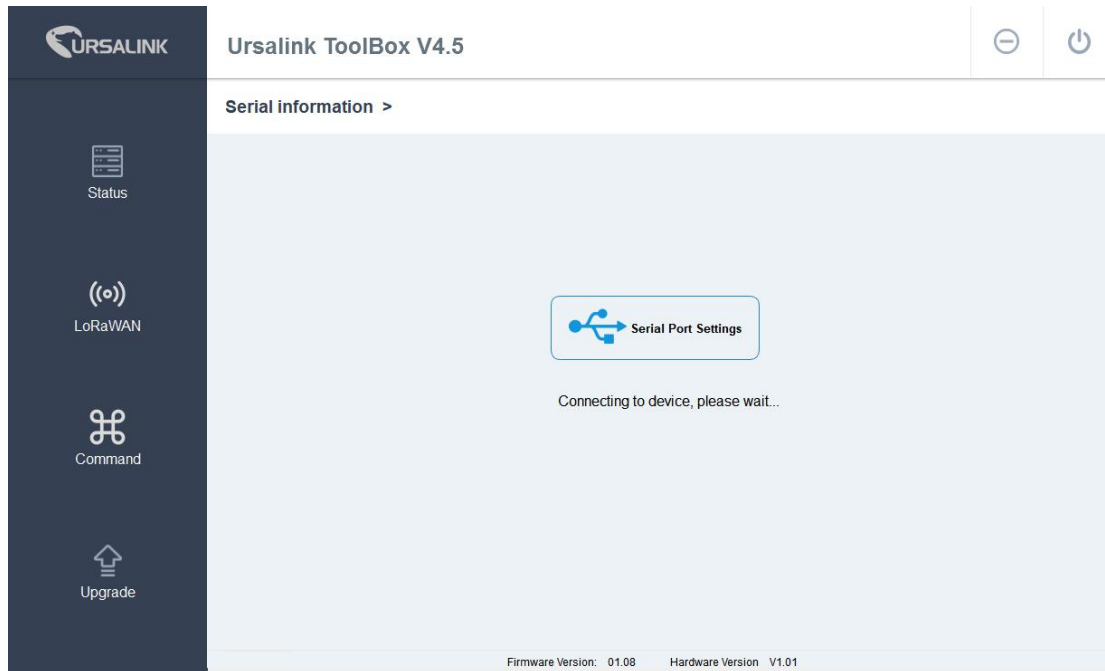
Step 2: Power on UC1114.

Step 3: Run the Ursalink ToolBox.



The software will show this interface when getting started. Here you can create a new setup, import an existing setup from your PC, or retrieve the current setup from the Ursalink UC1114.

4.1.1 Serial Port Settings



When the URSALINK Toolbox displays: **Connecting to device, please wait...**

You can click **Serial Port Settings** to set the correct serial port parameters.

Serial Port Settings
✕

Serial port

Login password

Baud rate

Data bits

Parity bits

Stop bits

Serial Port Settings		
Item	Description	Default
Serial Port	Select the serial port for data transmission.	Null
Login Password	Enter the correct password to login.	123456

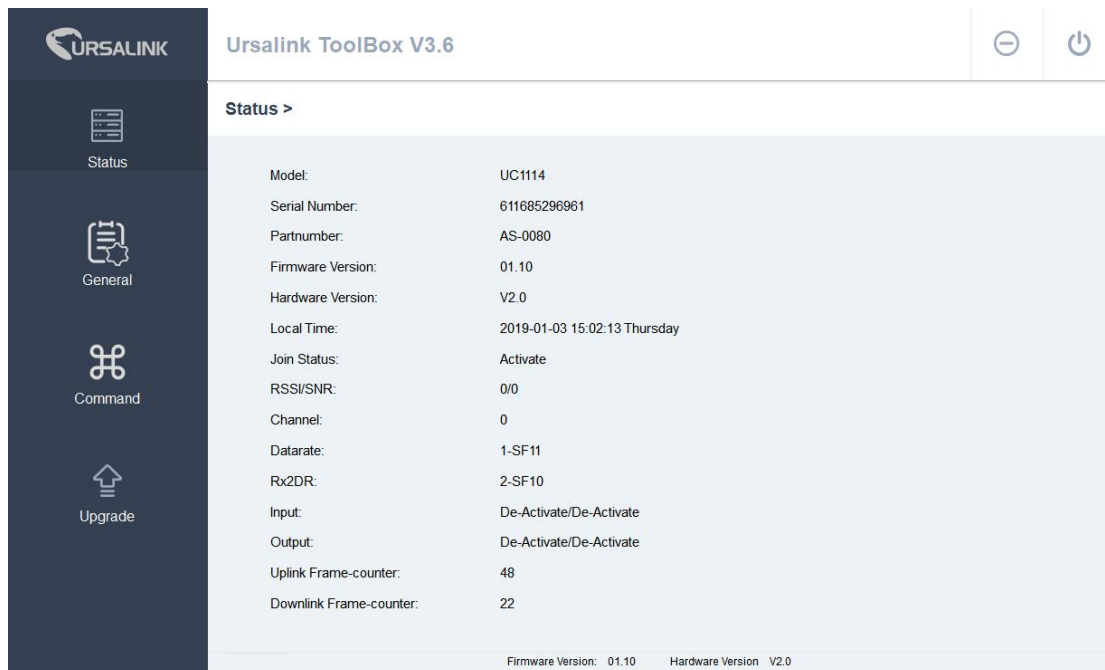
Baud Rate	Select from "9600", "57600", "115200".	57600
Data Bits	Select from "5", "7", "8".	8
Parity Bits	Select from "Even", "Odd", "None".	None
Stop Bits	Select from "1", "2".	1

If the serial port parameters and the login password are correct, it will display: Serial port is connected.



4.2 Status

Click "Status" to see the basic status information of this device:



URSALINK URSALINK Toolbox V3.6

Status >

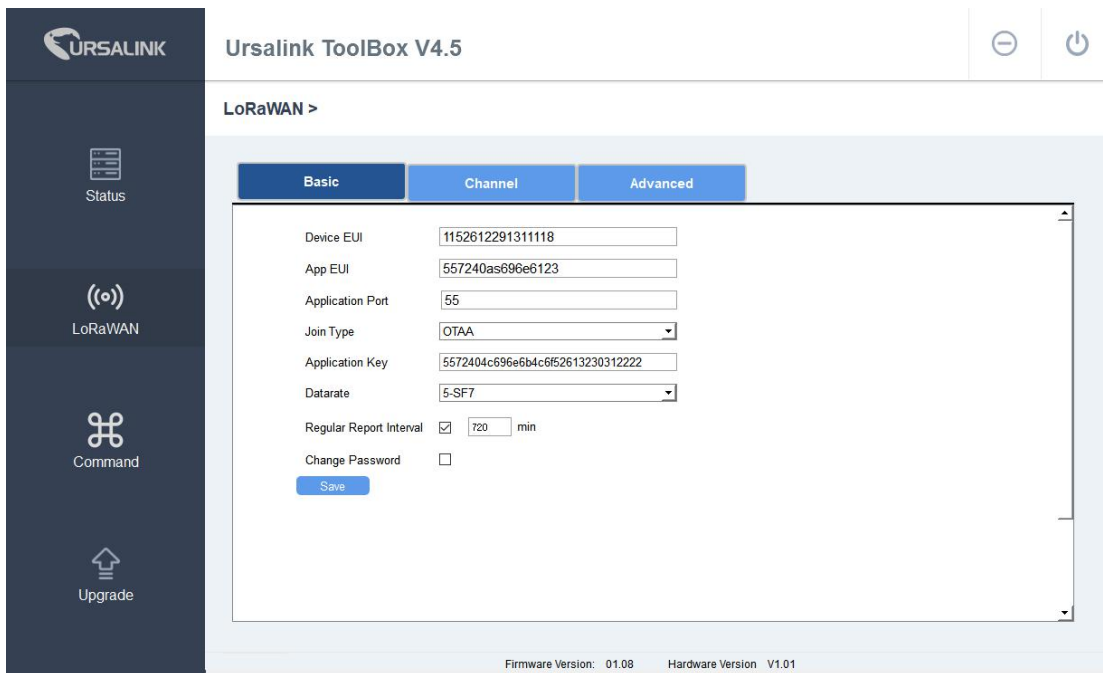
Model:	UC1114
Serial Number:	611685296961
Partnumber:	AS-0080
Firmware Version:	01.10
Hardware Version:	V2.0
Local Time:	2019-01-03 15:02:13 Thursday
Join Status:	Activate
RSSI/SNR:	0/0
Channel:	0
Datarate:	1-SF11
Rx2DR:	2-SF10
Input:	De-Activate/De-Activate
Output:	De-Activate/De-Activate
Uplink Frame-counter:	48
Downlink Frame-counter:	22

Firmware Version: 01.10 Hardware Version V2.0

Status	
Item	Description
Local Time	Show the time of the device.
Join Status	Show if the device joined the network successfully. The "Activate" means the device has joined the network.
RSSI/SNR	Show the RSSI/SNR of received packet.
Channel	Show the the channel currently used by the device to send packets.
Rx2DR	Show the RX2 datarate which used for the RX2 receive-window.
Input	Show the status of Digital Input1/Input2.
Output	Show the status of Digital Output1/Output2.
Uplink Frame-counter	The number of data frames sent uplink from UC1114 to the network server.
Downlink Frame-counter	The number of data frames sent downlink from the network server to UC1114.

4.3 LoRaWAN

4.3.1 Basic



URSALINK
Ursalink ToolBox V4.5

LoRaWAN >

Basic Channel Advanced

Device EUI 1152612291311118

App EUI 557240as896e8123

Application Port 55

Join Type OTAA

Application Key 5572404c696e6b4c6f52613230312222

Datarate 5-SF7

Regular Report Interval 720 min

Change Password

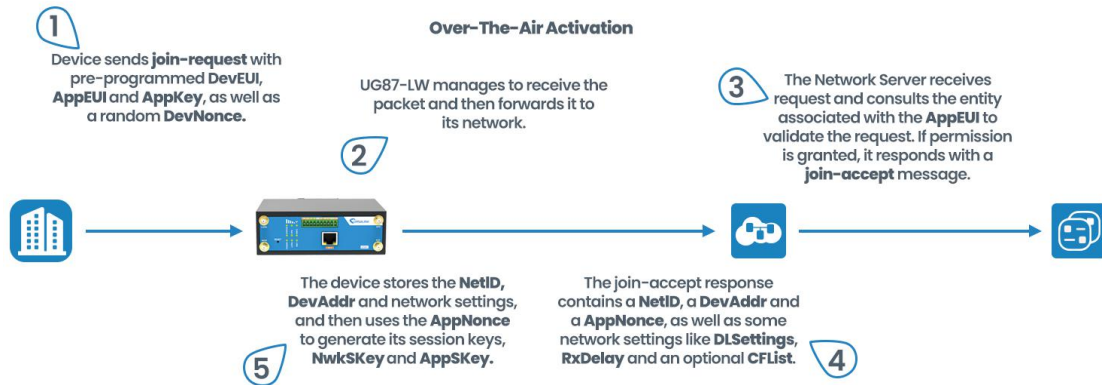
Save

Firmware Version: 01.08 Hardware Version V1.01

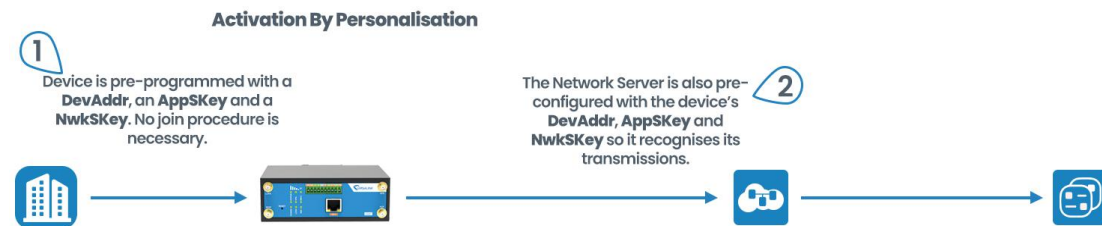
Basic Settings

Item	Description	Default
Device EUI	Enter the identifier of the gateway.	Model +

		SN
App EUI	An AppEUI that will be attached to received packets and a Join EUI.	24e124c00 02a0002
Application Port	The port used by the device to send and receive data.	85
Join Type	<p>Select from: "OTAA" and "ABP". OTAA:Over-the-Air Activation. For over-the-air activation, end-devices must follow a join procedure prior to participating in data exchanges with the network server. An end-device has to go through a new join procedure every time it has lost the session context information.</p> <p>ABP: Activation by Personalization. Under certain circumstances, end-devices can be activated by personalization. Activation by personalization directly ties an end-device to a specific network by-passing the join request - join accept procedure.</p>	OTAA
Datarate	The datarate is used to transmit packet.	2-SF10
Regular Report Interval	The interval of sending data to the gateway.	30min
Regular Report Confirmed	<p>After sending the regular report packet to the network server, if the device does not receive ACK bit from the network server, then the device will resend the packet. Note: If the device doesn't receive ACK for a long time, the device will resend regular report confirmed packets 3 times at most.</p>	Disabled
Alarm Report Confirmed	<p>After sending the attribute package or alarm packet to the network server, if the device does not receive ACK bit from the Network Server, then the device will resend the packet. Note: If the device doesn't receive ACK for a long time, the device will resend regular report confirmed packets 3 times at most. However, the device will resend attribute package all the time.</p>	Disabled
Change Password	Change the password of the connected device.	--



OTAA Settings		
Item	Description	Default
Application Key	Enter the application key. Whenever an end-device joins a network via over-the-air activation, the application key is used for derive the Application Session key.	5572404c696e6b4c6f52613230313823

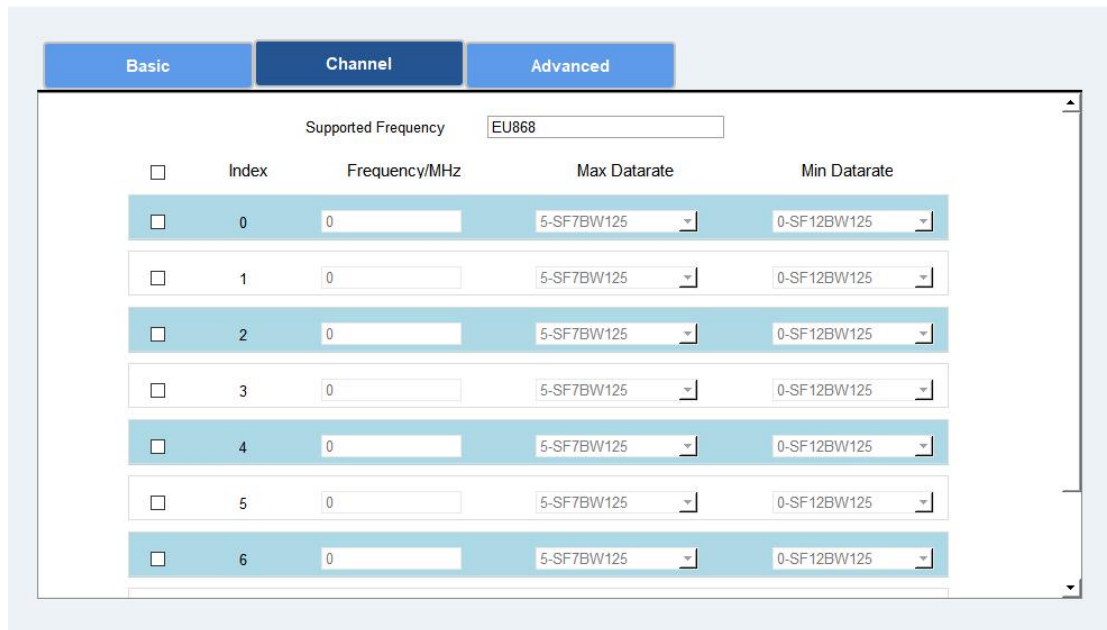


ABP Settings		
Item	Description	Default
Network ID	Network identifier (NwkID) is used to separate addresses of territorially overlapping networks of different network operators and to remedy roaming issues.	010203
Device Address	Enter the device address. The device address identifies the end-device within the current network.	The last 8 digits number of SN
Network Session Key	Enter the network session key of the device. The network session key specific for the end-device. It is used by the end-device to calculate the MIC or part of the MIC (message integrity code) of all uplink data messages to ensure data integrity.	5572404c696e6b4c6f52613230313823
Application Session Key	Enter the application session key of the device. The AppKey is an application session key specific for the end-device. It is used by both the application server and the end-device to encrypt and decrypt the payload field of application-specific data messages.	5572404c696e6b4c6f52613230313823

4.3.2 Channel

On this page, you can view all the supported LoRa frequencies and setup the channel frequency used for receiving and sending data.

LoRaWAN >



<input type="checkbox"/>	Index	Frequency/MHz	Max Datarate	Min Datarate
<input type="checkbox"/>	0	0	5-SF7BW125	0-SF12BW125
<input type="checkbox"/>	1	0	5-SF7BW125	0-SF12BW125
<input type="checkbox"/>	2	0	5-SF7BW125	0-SF12BW125
<input type="checkbox"/>	3	0	5-SF7BW125	0-SF12BW125
<input type="checkbox"/>	4	0	5-SF7BW125	0-SF12BW125
<input type="checkbox"/>	5	0	5-SF7BW125	0-SF12BW125
<input type="checkbox"/>	6	0	5-SF7BW125	0-SF12BW125

Note: Make sure that you have configured the corresponding channel on the gateway.
 E.g. If you have configured a 923.2 MHz channel on UC1114, then you have to configure a 923.2 MHz channel on gateway as well.



Enable	Index	Radio	Frequency/MHz
<input checked="" type="checkbox"/>	0	Radio 0	923.2
<input checked="" type="checkbox"/>	1	Radio 0	923.4
<input checked="" type="checkbox"/>	2	Radio 0	923.6
<input checked="" type="checkbox"/>	3	Radio 1	922.2
<input checked="" type="checkbox"/>	4	Radio 1	922.4
<input checked="" type="checkbox"/>	5	Radio 1	922.6
<input checked="" type="checkbox"/>	6	Radio 1	922.8
<input checked="" type="checkbox"/>	7	Radio 1	923.0

4.3.3 Advanced

LoRaWAN >

Basic	Channel	Advanced
ADR Mode	<input checked="" type="checkbox"/>	
TXPower	<input type="text" value="16"/>	db
Join Delay1	<input type="text" value="5000"/>	ms
Receive Delay1	<input type="text" value="1000"/>	ms
Receive Delay2	<input type="text" value="2000"/>	ms
Join Trials	<input type="text" value="0"/>	
ReTx	<input type="text" value="3"/>	
RX2 Datarate	<input type="text" value="0-SF12"/>	
RX2 Channel Frequency	<input type="text" value="869.525"/>	MHz
ACK Timeout	<input type="text" value="2000"/>	ms
Duty Cycle Switch	<input type="checkbox"/>	
Duty Cycle	<input type="text" value="0"/>	%
Uplink Frame Counter	<input type="text" value="0"/>	

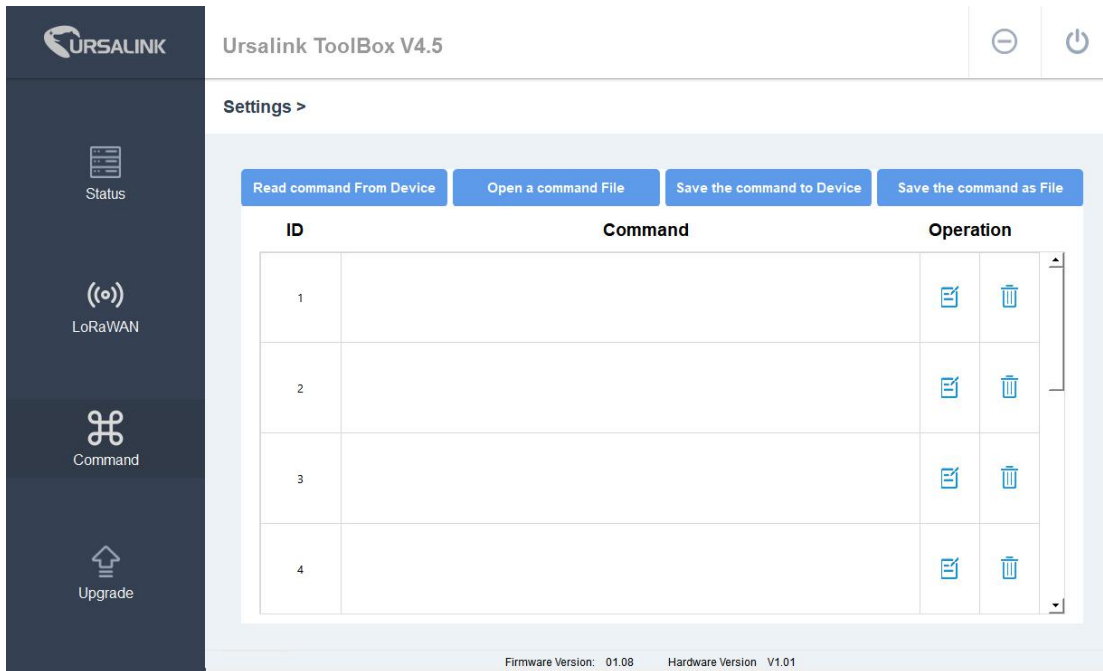
Advanced Settings

Item	Description	Default
ADR Mode	ADR Mode: Adaptive Data Rate. Enabled: The Network Server will adjust the datarate by MAC command. Disabled: Whatever how the signal quality is, the Network Server will not adjust the datarate of UC1114.	Enabled
TXPower	The TX (transmit power) setting is used to control the transmission power of the device.	0
Join Delay1	Number of seconds before receive windows are opened for join.	Specified in the LoRaWAN™ Regional Parameters
Receive Delay1	The Join Accept Delay between the end of the Tx and the Join Rx Window 1.	Specified in the LoRaWAN™ Regional Parameters
Receive Delay2	The Join Accept Delay between the end of the Tx	Specified in the

	and the Join Rx Window 2.	LoRaWAN™ Regional Parameters
Join Trials	The maximum number of the device to resend the join request when the device failed to join the network.	0
ReTx	The maximum number of the device to resend the data packet if no ACK is received after the specified time. (Must check Confirmed Mode)	3
RX2 Datarate	Datarate for second receive window, which must be the same with Tx Datarate of gateway.	2-SF10
RX2 Channel Frequency	The frequency for second receive window.	Specified in the LoRaWAN™ Regional Parameters
ACK Timeout	Time in milliseconds to wait for ACK before retry of confirmed downlink.	2000
Duty Cycle Switch	Check to enable Duty Cycle.	Disabled
Duty Cycle	Number of minutes in sliding windows for duty cycle restrictions.	0 The 0 means using the standard Duty Cycle which is specified in the LoRaWAN™ Regional Parameters
Uplink Frame Counter	The number of data frames which sent uplink to the network server .It will be incremented by the end-d evice and received by the end-device. Users can reset the a personalized end-device manu ally, then the frame counters on the end-device and the frame counters on the network server for that end-device will be reset to 0.	0
Downlink Frame Counter	The number of data frames which received by the e nd-device downlink from the network server. It will be incremented by the network server. Users cloud reset the a personalized end-device ma nually, then the frame counters on the end-device a	0

and the frame counters on the network server for that end-device will be reset to 0.









4.4 Command



URSALINK ToolBox V4.5

Settings >

Read command From Device Open a command File Save the command to Device Save the command as File

ID	Command	Operation
1		 
2		 
3		 
4		 

Firmware Version: 01.08 Hardware Version: V1.01

4.4.1 Read Command from Device

Click "Command" to go to the configuration page. Ursalink ToolBox will read command from the connected device automatically. The whole process takes about 5 seconds.

4.4.2 Open a Command File

You can import the existing command file from your PC with following steps.

1. Click "Open a command File".
2. Select the command file.

4.4.3 Save the Command to Device

You can click "Save the Command to Device" to save the command having been configured on the Ursalink ToolBox. The device will restart automatically to apply this configuration.

4.4.4 Save the Command as File

You could click "Save the Command as File" to save the command having been configured on the Ursalink ToolBox as a file and save it on your own computer.

4.5 IF-THEN Behaviour Command

The Ursalink UC1114 is running with a number of defined behaviour commands. Each command takes the form of an IF-THEN statement pair. You are thus able to select certain trigger conditions to cause desired actions to be performed. The Ursalink UC1114 allows up to 8 separate behaviour commands with some models.

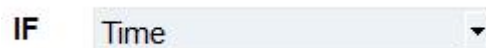
Users can select time or input constraints for any IF-THEN statement pairs, so that an action will only be triggered during certain period within a day, or only if certain input/output conditions are met.

The user can enter the edit page by clicking  , or delete the command by clicking .

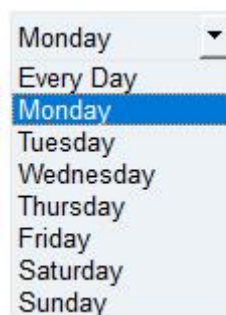
4.5.1 Supported IF Condition

4.5.1.1 IF the Time Is ...

A command containing this IF condition will be triggered at a specific time every day within a specified range of dates, or on every selected day of the week.



The user can choose the day of the week from:



The user can also set the time from 00:00 to 23:59 on a certain day.

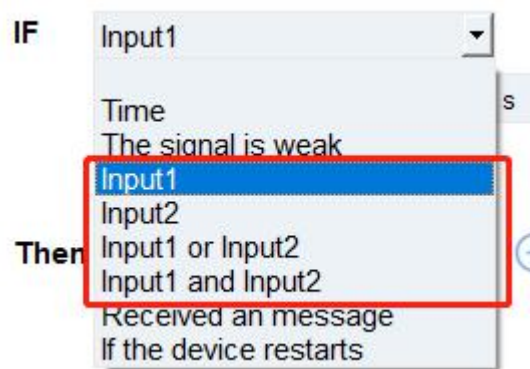
4.5.1.2 IF Received a Specific Message

A command containing this IF condition will be triggered by certain message defined by users.



4.5.1.3 IF Input

A command containing this IF condition will be triggered if the selected input changed according to the specified option.



The user can setup multiple combinations; however, input 1 and input 2 must be activated before action is taken.

The logic options available includes:

- AND: ALL the selected signals become active or ANY selected signals become inactive
- OR: ANY selected signals become active or ALL the selected signals become inactive

Then the user can choose from the following options:

- Goes Active (Triggered on rising edge)
- Goes Inactive (Triggered on falling edge)
- Changes State (Triggered on rising or falling edge)
- Is Active (Triggered on high level)
- Is Inactive (Triggered on low level)

Thus, if the user chooses "Goes Active", then as soon as the specified input changes from inactive to active, the command will be triggered. Also, it applies to the remaining options when the preset conditions are met.

The user is also able to specify a "Continued time" for this command, which will not be allowed to be triggered until it remains Active or Inactive longer than the time specified. Moreover, the

user can specify a "Lockout time" for this command. After the command has been triggered, it will not be allowed to be triggered again until the time specified has elapsed.

When you set the time, you can choose the time unit:

msec: 0-86400000

sec: 0-86400

min: 0-1440

Only integers are allowed. You can't carry the decimal point.

Note: There are 3 single actions at most to be executed for a single trigger condition.

4.5.1.4 IF the Device Restarts

A command containing this IF condition will be triggered once the device has finished restarting.

IF

4.5.2 Supported THEN Actions

4.5.2.1 THEN Change Output

A command containing this action will change the selected output according to specified actions.

Then s

will be activate
 will be activate
 will be de-activate
 will follow the input to change

The user can choose from the following actions:

- Will be activated
- Will be deactivated
- Will follow the input to change: When the triggering condition is the Input Changes State, you can then select change state as the action.

IF

is continued for s

Set lockout time

Then

If the user has configured:

- "Delay Time", the selected output will be activated after the specified time.
- "Duration", the output will remain current status for a certain period of time.

4.5.2.2 THEN Restart the Device

A command containing this action will restart the Ursalink UC1114 if the condition is met.

Then

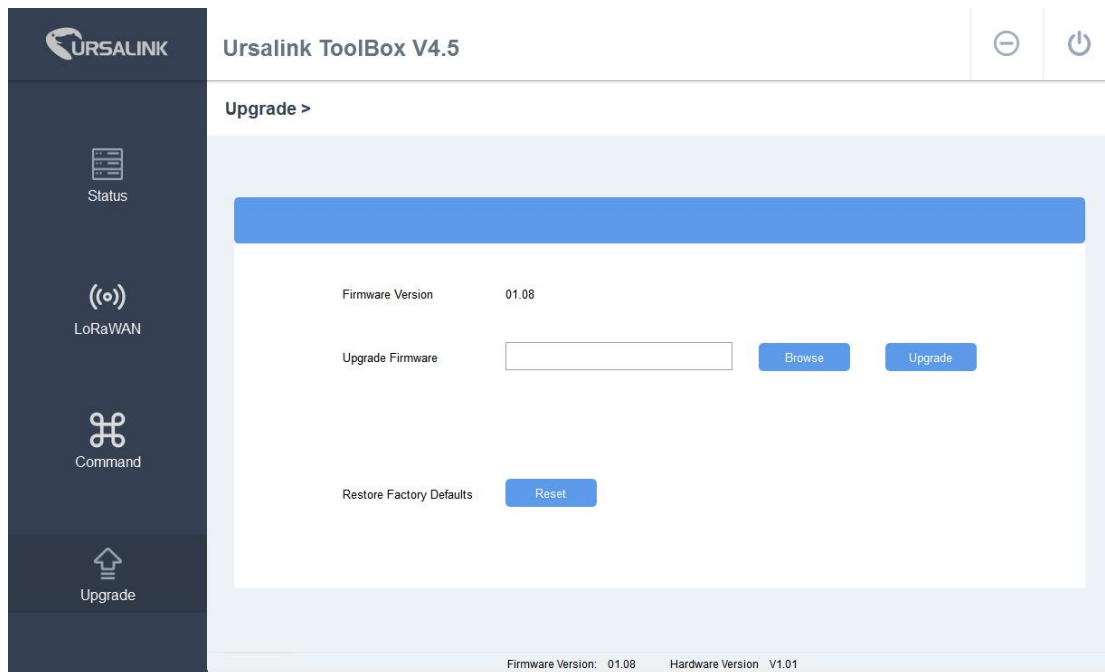
4.5.2.3 THEN Send a Custom Message

A command containing this action will send a custom text message defined via LoRaWAN if the condition is met. Only letter, number, comma, period, separator, space and exclamation mark are allowed in the message, and the maximum character length is 60.

Then **content is**

Only letter, number, comma, period, separator, blank and exclamation mark are allowed, and the maximum character length is 60.

4.6 Upgrade



Step 1: Connect UC1114 to PC via micro USB port.

Step 2: Power on UC1114.

Step 3: Run the URSALINK Toolbox and go to "Upgrade".

Step 4: Click "Browse" and select the correct firmware file from the PC.

Step 5: Click "Upgrade" and the device will check if the firmware file is correct. If it's correct, the firmware will be imported to the device, and the device will reboot after upgrading is completed.

Note: Any operation on URSALINK Toolbox is not allowed during upgrading, otherwise the upgrading will be interrupted, or even the device will be broken down.

Click "Reset", and the device will restore to the factory default settings.

5. Application Examples

5.1 Periodic Status Report

Configuration:

Software:

If

Then content is

UC1114 will send a custom message at 8 a.m. every Monday.

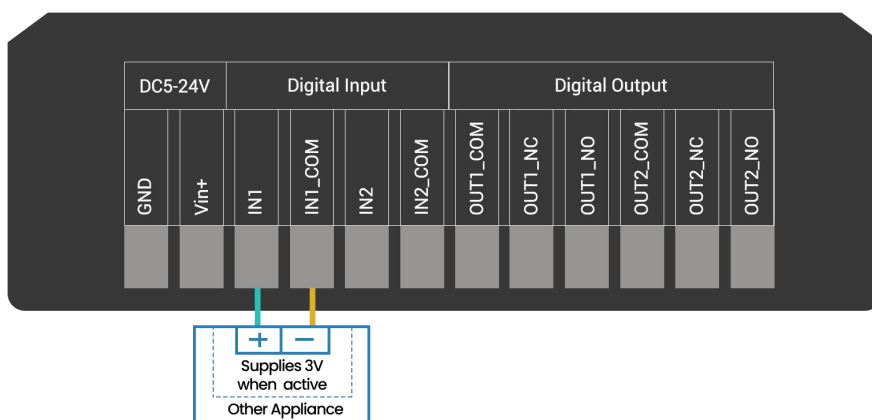
5.2 Monitoring Alarm

If you need to monitor an alarm sensor, such as a manhole covers sensor or a water pressure sensor, UC1114 will send out a message when any alarm occurs.

Configuration:

Hardware:

You should connect the alarm output (12V signal that drives the siren) to one of the device's input. The positive wire from the alarm panel is connected to the IN1 terminal, and the negative wire is connected to IN1_COM.



Software:

If goes active (rising edge-triggered)
 is continued for s
 Set lockout time

Then **content is** +

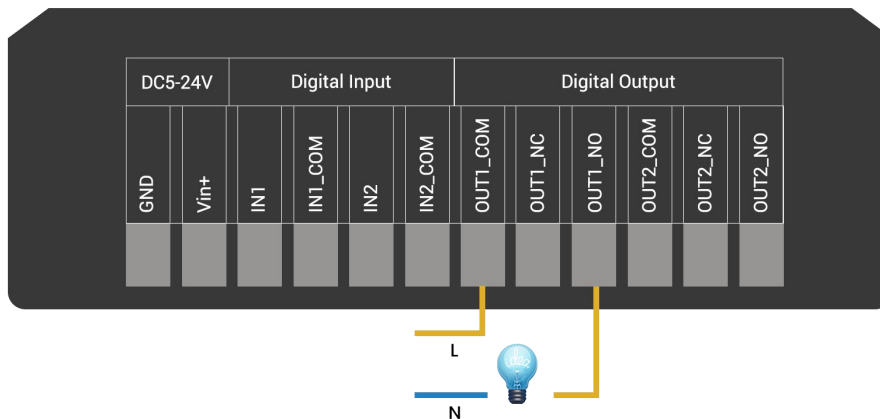
5.3 Control an Appliance

5.3.1 Control a Bulb by Sending a Message

If you want to switch a 220 V light bulb on or off via a suitable LoRa message.

Configuration:

Hardware:

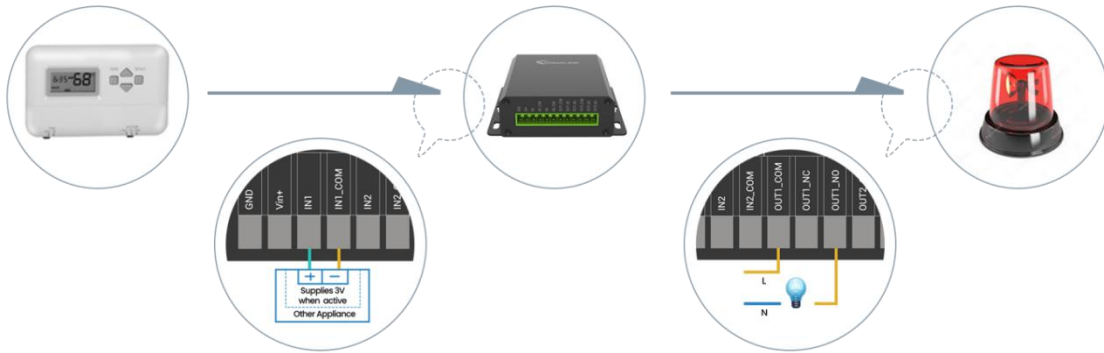


Software:

If **containing**

Then **will be activate** +
 Delay Time s Duration s

5.3.2 Send an Alert When Over-temperature Occurs



Software:

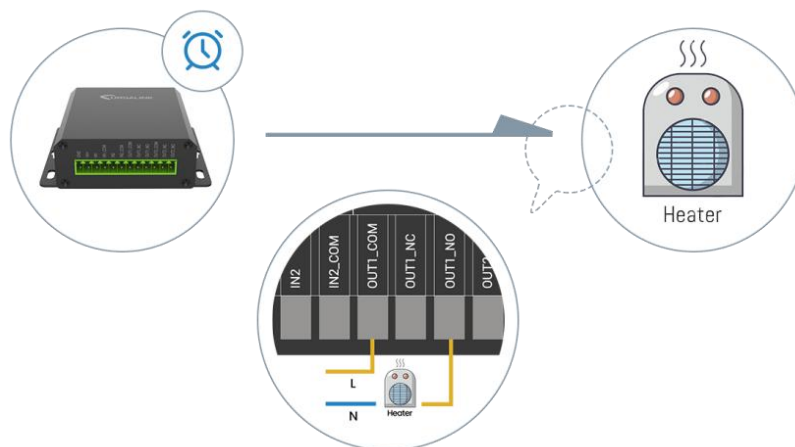
If Digital Input1 goes active (rising edge-triggered)
 is continued for 0 s
 Set lockout time

Then Output1 will be activate (+)
 Delay Time 0 s Duration 0 s

5.3.3 Turn on the Heater Regularly

Configuration:

Hardware:



Software:

If

The acition you have set will be triggered at 16:00 Every day (based on your computer clock)

Then

Delay Time

Duration

-End-