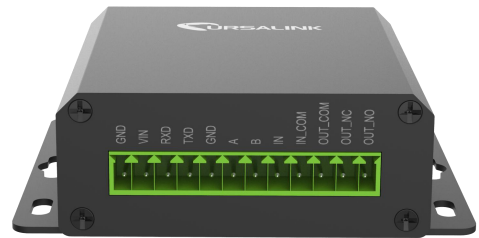


# LoRa Remote I/O UC1114/1122/1152

Easy to Deploy  
Manage and Monitor Your System

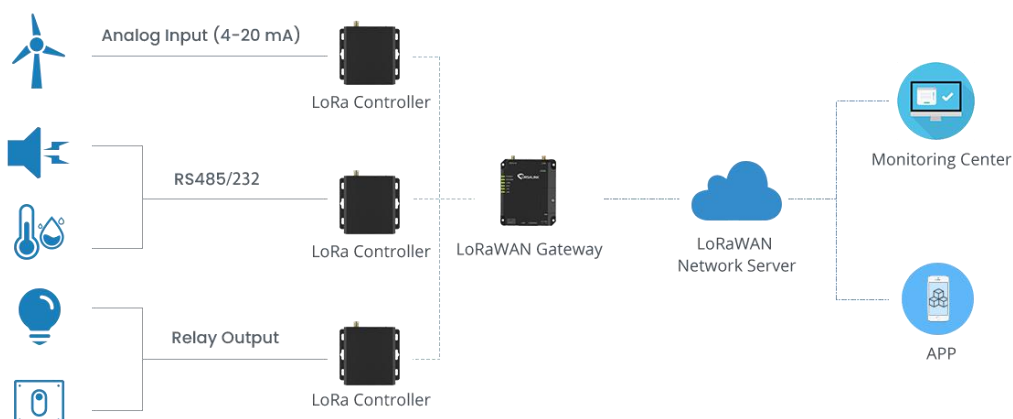
## Industrial LoRa Remote I/O



### ➤ Features

- Quick configuration by USB
- Hundred of combinations of trigger conditions and actions
- Abundant data transmission interfaces, support AI , DI, DO and serial ports
- Support standard LoRaWAN class C protocol
- Work perfectly with Ursalink LoRaWAN gateway
- Embedded with timer and hardware watchdog
- Rugged metal enclosure optimized for shelf mounting

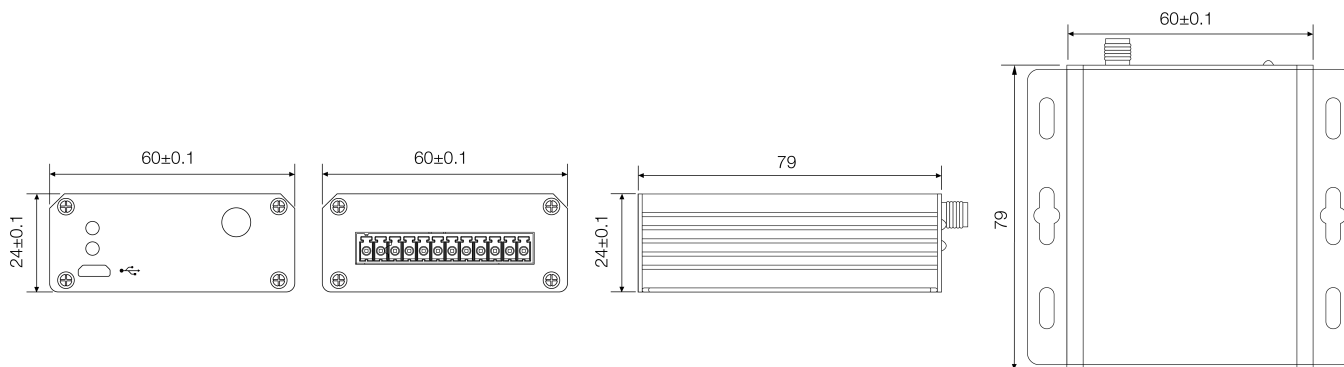
### ➤ Application Example



## ➤ Specifications

| LoRaWAN                  |  |
|--------------------------|--|
| Connector                | 1 × 50 Ω SMA (Center PIN: SMA Female)                                    |
| Frequency Band           | CN470/EU868/IN865/RU864/US915/AU 915/AS923/KR923                         |
| Sensitivity              | -147dBm @300bps  |
| Output Power             | 16dBm(868)/20dBm(915)/19dBm(470)   |
| Working Mode             | OTAA/ABP Class C   |
| Interfaces               |  |
| Interface Type           | 3.5mm Terminal Block   |
| IO                       |  |
| Digital Input            | Opto-isolated Digital Inputs, 3-24VDC Voltage                            |
| Digital Output           | SPDT Relay Contact Rating: 3 amp DC (Max: 30 V) or 3 amp AC (Max: 250 V) |
| Analog Input             |  |
| Input Range              | 4-20mA   |
| Resolution               | 12 bit   |
| Serial Interface         |  |
| Ports                    | RS232 & RS485  |
| Protocol                 | Transparent (RS232), Modbus RTU (RS485)                                  |
| Baud Rate                | 4800bps to 115200bps   |
| Others                   |  |
| Configuration Port       | 1 × Micro USB  |
| LED Indicators           | 1 × System, 1 × ACT  |
| Built-in                 | Watchdog, Timer  |
| Physical Characteristics |  |
| Power Supply             | 5-24 VDC   |
| Power Connector          | 3.5mm Terminal Block   |
| Ingress Protection       | IP30   |
| Operating Temperature    | -40°C to +70°C (-40°F to +158°F)   |
| Relative Humidity        | 0% to 95% (non-condensing) at 25°C/77°F                                  |
| Dimensions               | 79 × 60 × 24 mm (3.11 × 2.36 × 0.94 in)                                  |
| Mounting                 | Desktop, Wall or Rack Mounting   |

## ➤ Dimensions(mm)



## ➤ Ordering Information

| Model  | Digital Input | Relay Output | RS232+RS485 | Analog Input |
|--------|---------------|--------------|-------------|--------------|
| UC1114 | 2             | 2            | --          | --           |
| UC1122 | 1             | 1            | --          | 2            |
| UC1152 | 1             | 1            | 1           | --           |

Xiamen Ursalink Technology Co., Ltd.

4/F, No. 63-2 Wanghai Road, 2nd Software Park Xiamen 361008, China

Phone: +86-592-5023060

Fax: +86-592-5023065

Website: [www.ursalink.com](http://www.ursalink.com)

Email: [contact@ursalink.com](mailto:contact@ursalink.com)

