



UR32 Industrial Cellular Router

Reliable and Remote-Manageable
for Large Scale M2M Deployment

High Speed LTE Networking Platform



The Ursalink UR32 is a cost-effective industrial cellular router with embedded intelligent software features that are designed for multifarious M2M/IoT applications. Global WCDMA and 4G LTE carrier supported make this drop-in connectivity a great help for operators in maximizing uptime.

Integrating embedded cellular modem and dual SIM function, the UR32 provides 3G/4G cellular network with 150 Mbps download and 50 Mbps uplink, it also has 2 fast Ethernet ports and supports Wi-Fi that compliance with 802.11b/g/n standard. All these capabilities deliver users an uninterrupted internet access.

Easy deployment and comprehensive remote device management makes UR32 versatile in most of IoT/M2M applications.

► Benefits

- Dual SIM cards for backup between multiple carriers networking and global 2G/3G/LTE options make it easy to get connected
- Flexible modular design provides users with different connection modules like Ethernet, I/O, serial port, Wi-Fi, GPS for connecting diverse field assets
- Embedded Python SDK for second development
- Rugged enclosure, optimized for DIN rail or shelf mounting
- 3-year warranty included

► Security & Reliability

- Automated failover/failback between Ethernet and Cellular (dual SIM)
- Enable unit with security frameworks like IPsec/OpenVPN/GRE/L2TP/PPTP/DMVPN
- Embed hardware watchdog, able to automatically recover from various failure, ensure highest level of availability
- To establish a secured mechanism on centralized authentication and authorization of device access by supporting AAA (Radius, TACACS+, LDAP, local Authentication) and multiple levels of user authority

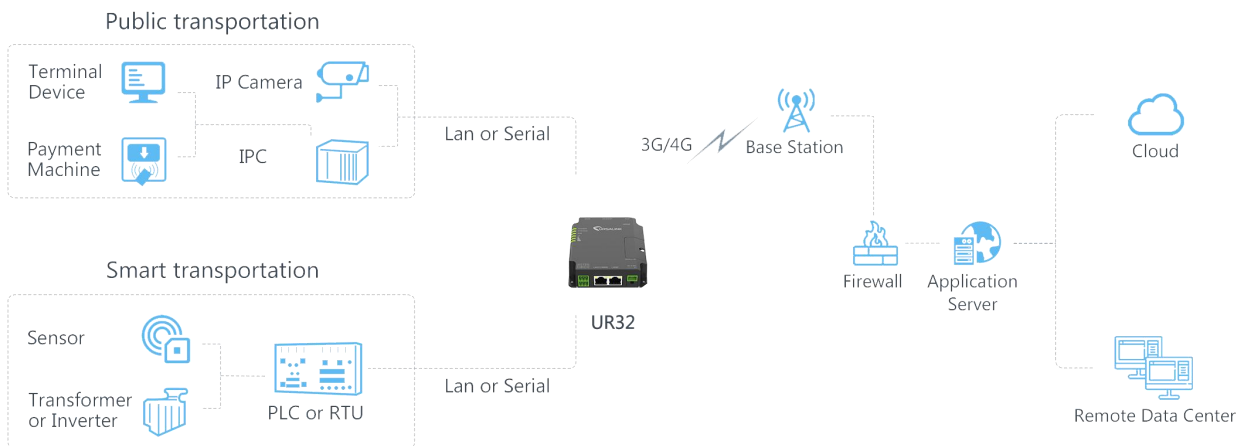
► Easy Maintenance

- Uralink DeviceHub provides easy setup, mass configuration, and centralized management of remote devices
- The user-friendly web interface design and more than one option of upgrade help administrator to manage the device as easy as pie
- Web GUI and CLI enable the admin to achieve simple management and quick configuration among a large quantity of devices
- Efficiently manage the remote routers on the existing platform through the industrial standard SNMP

► Capabilities

- Link remote devices in an environment where communication technologies are constantly changing
- Support 802.11b/g/n, as AP or client mode, to establish versatile wireless network or be the backup WAN link for 3G/4G
- Support rich protocols like SNMP, Modbus bridging, RIP, OSPF
- Support wide operating temperature ranging from -40°C to +70°C/-40°F to +158°F

Application Example



Specifications

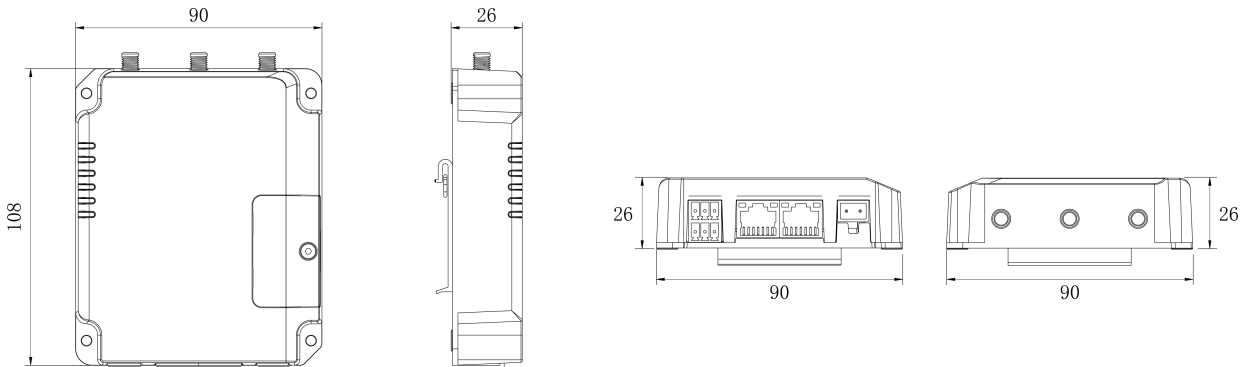
Hardware System	
CPU	528 MHz, ARM Cortex A7
Memory	128 MB Flash, 128 MB DDR3 RAM
Storage	1 × Micro SD
Ethernet Interface	
Ports	2 × RJ-45
Property	1 × WAN + 1 × LAN or 2 × LAN (PoE PSE Optional)
Physical Layer	10/100 Base-T (IEEE 802.3)
Data Rate	10/100 Mbps (Auto-Sensing)
Interface	Auto MDI/MDIX
Mode	Full or half duplex (Auto-Sensing)
Cellular Interfaces	
Connectors	2 × 50 Ω SMA (Center PIN: SMA Female)
SIM Slots	2
Wi-Fi Interface (Optional)	
Connectors	1 × 50 Ω SMA (Center PIN: RP-SMA Female)
Standards	IEEE 802.11b/g/n
Tx Power	802.11b: 16 dBm +/-1.5 dBm (11 Mbps) 802.11g: 14 dBm +/-1.5 dBm (54 Mbps) 802.11n: 13 dBm +/-1.5 dBm (65 Mbps, HT20/40 MCS7)
Modes	AP and Client mode
Security	WPA/WPA2 authentication, WEP/TKIP/AES encryption

GPS (Optional)	
Connectors	1 × 50 Ω SMA (Center PIN: SMA Female)
Protocols	NMEA 0183
Serial Interface	
Ports	1 × RS232 (RS485 Optional)
Connector	Terminal block
Baud Rate	300bps to 230400bps
IO	
Connector	Terminal block
Digital	1 × DI + 1 × DO
Software	
Network Protocols	PPP, PPPoE, SNMP v1/v2c/v3, TCP, UDP, DHCP, RIPv1/v2, OSPF, DDNS, VRRP, HTTP, HTTPS, DNS, ARP, QoS, SNTP, Telnet, VLAN, SSH, etc.
VPN Tunnel	DMVPN/IPsec/OpenVPN/PPTP/L2TP/GRE
Access Authentication	CHAP/PAP/MS-CHAP/MS-CHAPV2
Firewall	ACL/DMZ/Port Mapping/MAC Binding/SPI/URL Filter
Management	Web, CLI, SMS, On-demand dial up, DeviceHub
AAA	RADIUS, TACACS+, LDAP, Local Authentication
Multilevel Authority	Multiple Levels of User Authority
Reliability	VRRP, WAN Failover, Dual SIM Backup
Serial Port	Transparent (TCP Client/Server, UDP), Modbus Gateway (Modbus RTU to Modbus TCP)
Power Supply and Consumption	
Power Input Connector	2-pin with 5.08 mm terminal block
Input Voltage	9-48 VDC (48 V power input is needed for PoE output)
Power Consumption	Typical 1.9 W, Max 2.4 W (In Non-PoE mode)
Power Output	2 × 802.3 af/at PoE output
Physical Characteristics	
Ingress Protection	IP30
Housing & Weight	Metal, 271 g
Dimensions	108 x 90 x 26 mm (4.25 x 3.54 x 1.02 in)
Mounting	Desktop, Wall or DIN Rail Mounting
Others	
Reset Button	1 × RESET
LED Indicators	1 × POWER, 1 × SYSTEM, 1 × SIM, 3 × Signal strength
Certifications	CE, FCC, RoHS, PTCRB, RCM

Environmental

Operating Temperature	-40°C to +70°C (-40°F to +158°F) Reduced Cellular Performance Above 60°C
Storage Temperature	-40°C to +85°C (-40°F to +185°F)
Ethernet Isolation	1.5 kV RMS
Relative Humidity	0% to 95% (non-condensing) at 25°C/77°F

Product Images/Dimensions (mm)



Ordering Information

Model	UR32
Air Interface	LTE(LTE-FDD/LTE-TDD)/CDMA(CDMA 1x/EVDO)/TD-SDMA/DC-HSPA+/HSPA+ /HSUPA/HSDPA/WCDMA/EDGE/GPRS/GSM
4G	-EC: B1/B3/B5/B7/B8/B20/B28A@FDD LTE -AF: B2/B4/B5/B12/B13/B14/B66/B71@FDD LTE -AU: B1/B2/B3/B4/B5/B7/B8/B28@FDD LTE, B40@TDD LTE -J: B1/B3/B8/B18/B19/B26 @FDD LTE, B41@TDD LTE -CE: B1/B3/B5/B8@FDD LTE, B38/B39/B40/B41@TDD LTE
3G	-EC: B1/B8@WCDMA -AF: B2/B4/B5@WCDMA -AU: B1/B2/B5/B8 WCDMA -J: B1/B6/B8/B19@WCDMA -CE: B1/B8@WCDMA, B34/B39@TD-SCDMA, BC0@CDMA2000 1x/EVDO
2G	-EC: B3/B8@GSM -AU: B2/B3/B5/B8@GSM -CE: 900/1800@GSM

*: Any other frequency band requirements please contact us.

Xiamen Ursalink Technology Co., Ltd.

4/F, No. 63-2 Wanghai Road, 2nd Software Park Xiamen 361008, China

Phone: +86-592-5023060

Fax: +86-592-5023065

Website: www.ursalink.com

Email: info@ursalink.com

